



活塞式压缩机
Piston compressor

涡旋式压缩机
Scroll compressor

全封闭制冷机组
Hermetic condensing unit

ABOUT US

公司简介

浙江安康制冷设备有限公司，成立于 2001 年，是一家专业生产全封闭活塞式和涡旋式制冷压缩机的公司。广泛用于商用冷冻，冷藏设备，冷库冷柜。公司从德国和意大利引进的专业压缩机制造设备、专业检测设备以及先进的制冷压缩机制造技术和生产线，具有年产 10 万台的生产能力。

公司拥有专业团队、丰富的实践经验、严格的科学管理让我们立足于制冷行业。我们不断地创新产品和提高技术。

公司产品均获得：RoHS,TUV,CE,CCC, ISO9001:2000 等认证。十多年来，收获了国内外客户的一致好评。

公司本着“质量第一，顾客至上，信誉至上”的宗旨，我们会在前进的道路上不断地努力。

Zhejiang Ankang Refrigeration Equipment Co.,Ltd establish in 2001.We are specialize in producing hermetic piston compressor(2HP-7HP), scroll compressor(7HP-15HP)and condensing unit. The production extensively used on commerce refrigerating equipment, like the central air conditioning, cold storage, the freezer, etc. We had imported professional equipment, testing equipment, technology and production line from Germany and Italy. The annual production come up to 100000pcs.

We have professional team with rich experience. We could keep a foothold in refrigeration area due to our strict scientific management. We are constantly committed to innovative products and improve technology.

We have RoHS, TUV, CE, CCC, ISO9001:2000 certificates. We gained high praise from all of our clients for the past years.

The company spirit is quality first, customer first, credibility first.We will keep working hard on the forward way.



CE RoHS TUV ISO9001:2000



NAME OF MODELS

型号命名



活塞式压缩机/ Piston compressor

- 命名: QR***
Name: QR***
- 螺纹接口
Screw thread connection
- 制冷剂: R22, R404a, R407c
Refrigerant: R22, R404a, R407c
- 中高温
Medium-High Temperature



活塞式压缩机/ Piston compressor

- 命名: QR***A
Name: QR***A
- 铜管接口
Copper connection
- 制冷剂: R22, R404a, R407c
Refrigerant: R22, R404a, R407c
- 中高温
Medium-High Temperature



活塞式压缩机/ Piston compressor

- 命名: QL***
Name: QL***
- 螺纹接口
Screw thread connection
- 制冷剂: R404a
Refrigerant: R404a
- 低温
Low Temperature



活塞式压缩机/ Piston compressor

- 命名: QL***A
Name: QL***A
- 铜管接口
Copper connection
- 制冷剂: R404a
Refrigerant: R404a
- 低温
Low Temperature



涡旋式压缩机/ Scroll compressor

- 命名: QRV***
Name: QRV***
- 铜管接口
Copper connection
- 制冷剂: R22, R404a, R407c
Refrigerant: R22, R404a, R407c
- 中高温
Medium-High Temperature

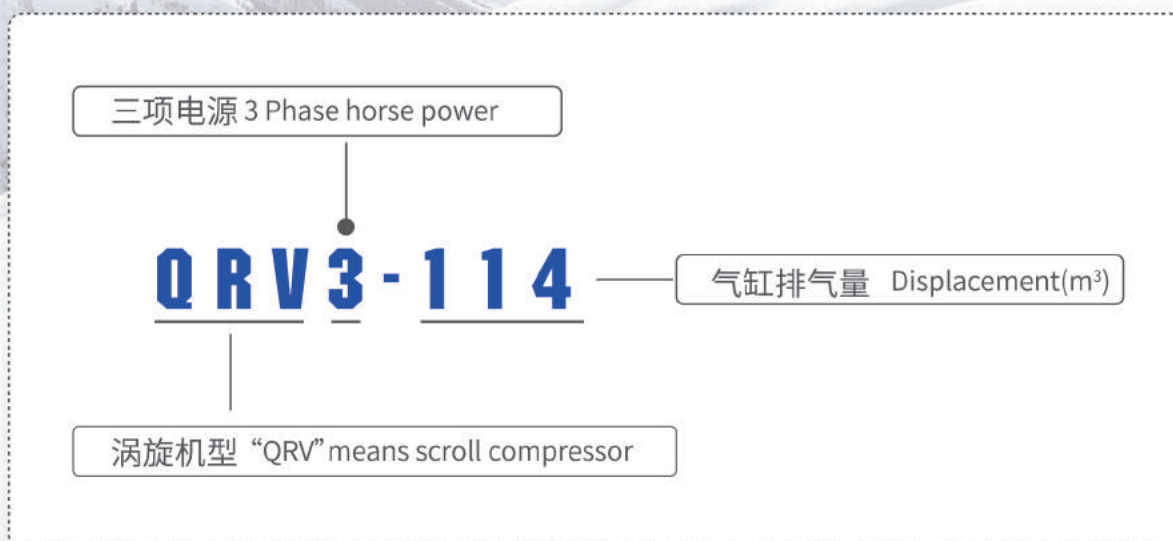
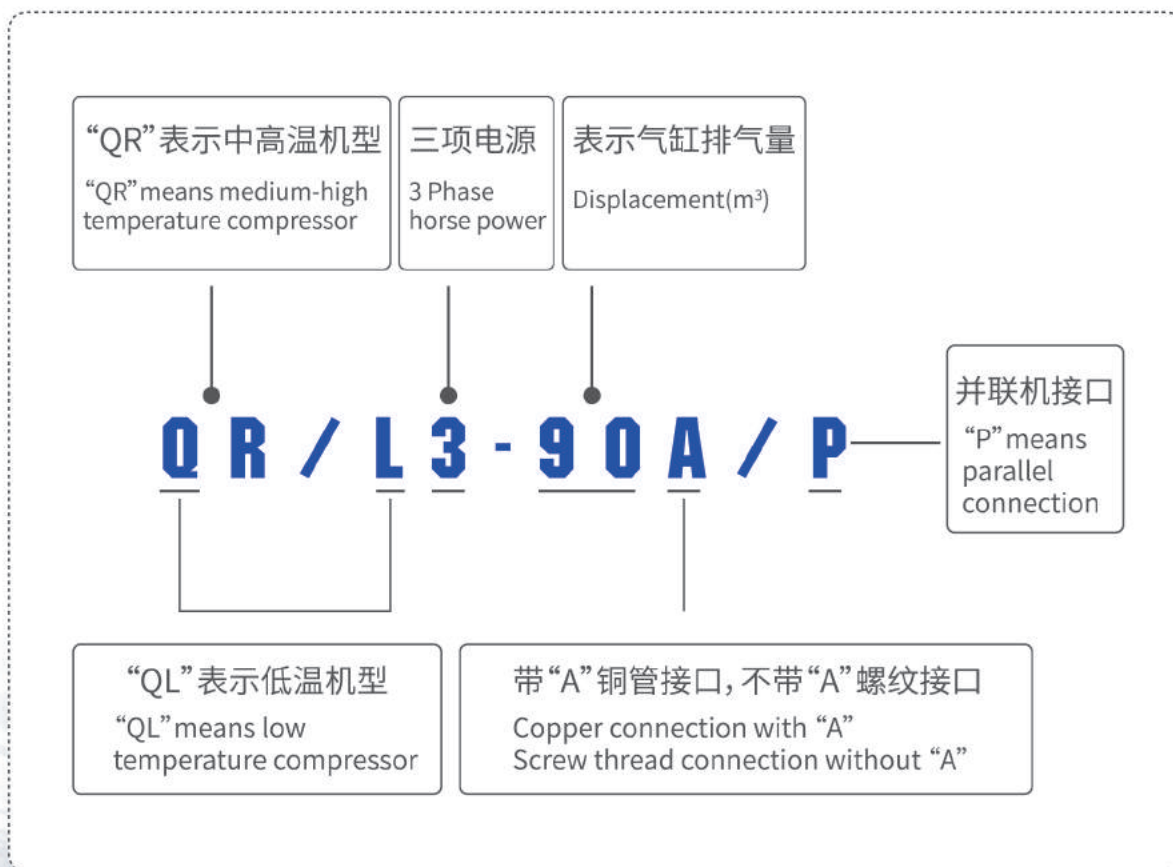


全封闭制冷机组/ Hermetic condensing unit

- 命名: QR***H
Name: QR***H
- 制冷剂: R22, R404a, R407c
Refrigerant: R22, R404a, R407c
- 中高温
Medium-High Temperature

NAMEPLATE DESCRIPTION

铭牌说明



PRODUCT PARAMETERS

产品参数

中/高回压压缩机R404a

Medium/High Back Pressure Compressor R404a



- 冷凝温度范围 $\leq 65^{\circ}\text{C}$
Condensing Temp Range $\leq 65^{\circ}\text{C}$
- 压缩机保护装置采用内置式保护器和安全阀
Compressor Internal Protectors: Internal Motor Protector and Pressure Relief Valve
- 电源60Hz时制冷量等于50Hz时制冷量的1.2倍
To obtain refrigeration capacity at 60Hz, multiply its values at 50Hz by 1.2
- *冷凝温度为 45°C
*Condensing Temp: 45°C

性能参数/Performance parameter

压缩机型号 Model	马力 (HP) Horsepower (H.P.)	气缸排气量 (CC) Displacement (cm ³)	电源 Power source	冷凝温度 The condensing temperature	名义制冷量 (W) Nominal Capacity	能效比 W/W COP	噪声 dB(A) (声压级) Noise (SPL)	蒸发温度 (W) The Evaporating Temperature					
								-25°C -12°F	-15°C +5°F	-10°C +14°F	0°C +32°F	+7.2°C +45°F	+15°C +59°F
QR44	2	44	220-240V/1PH/50Hz 208-230V/1PH/60Hz	54.5°C/50Hz	5977	3	≤ 62	1379*	1850	2580	4370	5977	8110
QR52	2.5	52			7146	3	≤ 64	1508*	2260	3240	5400	7146	9320
QR58	3	58.2			7967	3.1	≤ 65	1635*	2390	3310	5720	7967	10240
QR62	3	62.7			8613	3.1	≤ 65	1998*	2970	3960	6420	8613	11540

应用参数/Application parameter

电机数据											冷冻机油注入量 C Refrigerant Oil Charge	冷冻机油牌号 Refrigerant Oil Grade
压缩机型号 Model	输入功率 W Motor input	额定电流 A RLA	堵转电流 A LRA	绝缘等级 Insulation Level	转速 rev/min Revolutions	启动绕组电阻 Ω (25°C) Start Winding Resistance	运行绕组电阻 Ω (25°C) Run Winding Resistance	启动电容 Start Capacity	运行电容 Run Capacity	启动继电器 Start Potential Relay		
QR44	2300	10.2	65	F	≥ 2860	2.88	1.01	156~186 μF /330V	35 μF /450V	吸和电压: 180-195V Pick Up at: 180-195V 释放电压: 40-105V Drop Out at: 40-105V	1500	EMKARATE RL32H
QR52	2700	12.5	65			2.88	1.01					
QR58	3080	13.5	70			2.68	0.69					
QR62	3310	14.5	70			2.68	0.69					



中/高回压压缩机R404a

Medium/High Back Pressure Compressor R404a



- 冷凝温度范围 ≤ 65°C
Condensing Temp Range ≤ 65°C
- 压缩机保护装置采用内置式保护器和安全阀
Compressor Internal Protectors: Internal Motor Protector and Pressure Relief Valve
- 电源60Hz时制冷量等于50Hz时制冷量的1.2倍
To obtain refrigeration capacity at 60Hz, multiply its values at 50Hz by 1.2
- *冷凝温度为45°C
*Condensing Temp: 45°C

性能参数/Performance parameter

压缩机型号 Model	马力 (HP) Horsepower (H.P.)	气缸排气量 (CC) Displacement (cm ³)	电源 Power source	冷凝温度 The condensing temperature	名义制冷量 (W) Nominal Capacity	能效比W/W COP	噪声dB(A) (声压级) Noise (SPL)	蒸发温度 (W) The Evaporating Temperature (W)					
								-25°C -12°F	-15°C +5°F	-10°C +14°F	0°C +32°F	+7.2°C +45°F	+15°C +59°F
QR3-44	2	44	220V/3PH /60Hz 380V/3PH /50Hz 380V/3PH /60Hz 460V/3PH /60Hz	54.5°C/50Hz	5977	2.9	≤62	1379*	1850	2580	4370	5977	8110
QR3-52	2.5	52			7146	2.9	≤64	1508*	2260	3240	5400	7146	9320
QR3-58	3	58.2			7967	3	≤65	1635*	2390	3310	5720	7967	10240
QR3-62	3	62.7			8613	3	≤65	1998*	2970	3960	6420	8613	11540
QR3-74	3.5	74.2			9984	2.9	≤65	3078*	2805	4296	7276	9814	13056
QR3-90	4	90.2			11300	2.9	≤65	1510	3388	4425	7956	11300	15719
QR3-112	5	112.5			14780	2.8	≤66	3965	4360	5890	10450	14780	20230
QR3-124	6	124.4			16650	2.8	≤67	5146	5320	7080	11970	16650	22760
QR3-134	7	134.8			18230	2.8	≤69	5453	5780	7710	13120	18230	24806

应用参数/Application parameter

电机数据							冷冻机油注入量 CC Refrigerator Oil Charge	冷冻机油牌号 Refrigerator Oil Grade
压缩机型号 Model	输入功率 W Motorinput	额定电流 A RLA	堵转电流 A LRA	绝缘等级 Insulation Level	转速 rev/min Revolutions	绕组电阻 Ω (25°C) Line to Line Resistance		
QR3-44	2300	3.8	30	F	≥2860	6.8	1500	EMKARATE RL32H
QR3-52	2700	4.7	30			6.8		
QR3-58	3080	5	39			4		
QR3-62	3310	5.4	39			4		
QR3-74	4250	6.7	39			3.4		
QR3-90	4600	7.3	55			3.6	2000	
QR3-112	6100	9.6	70			2.2		
QR3-124	6800	10.6	70			2.2		
QR3-134	7400	11.7	70			2		

中/高回压压缩机R22

Medium/High Back Pressure Compressor R22



冷凝温度范围 ≤65°C

Condensing Temp Range ≤65°C

压缩机保护装置采用内置式保护器和安全阀

Compressor Internal Protectors: Internal Motor Protector and Pressure Relief Valve

电源60Hz时制冷量等于50Hz时制冷量的1.2倍

To obtain refrigeration capacity at 60Hz, multiply its values at 50Hz by 1.2

*冷凝温度为45°C

*Condensing Temp.: 45°C

性能参数/Performance parameter

压缩机型号 Model	马力 (HP) Horsepower (H.P.)	气缸排气量 (CC) Displacement (cm ³)	电源 Power source	冷凝温度 The condensing temperature	名义制冷量 (W) Nominal Capacity	能效比W/W COP	噪声dB(A) (声压级) Noise (SPL)	蒸发温度 (W) The Evaporating Temperature (W)					
								-25°C -12°F	-15°C +5°F	-10°C +14°F	0°C +32°F	+7.2°C +45°F	+15°C +59°F
QR44	2	44	220-240V /1PH/50Hz	54.5°C/50Hz	5770	3	≤62	1320*	1960	2480	4300	5770	7830
QR52	2.5	52			7050	3	≤64	1610*	2370	3180	5300	7050	9200
QR58	3	58.2	208-230V /1PH/60Hz		7900	3.1	≤65	1820*	2720	3680	5950	7900	10300
QR62	3	62.7			8500	3.1	≤65	1950*	2890	3830	6300	8500	11450

应用参数/Application parameter

电机数据											冷冻机油 注入量 C Refrigerator Oil Charge	冷冻机油 牌号 Refrigerator Oil Grade
压缩机型号 Model	输入功率 W Motor input	额定电流 A RLA	堵转电流 A LRA	绝缘等级 Insulation Level	转速 rev/min Revolutions	启动绕组电 阻 Ω (25°C) Start Winding Resistance	运行绕组电 阻 Ω (25°C) Run Winding Resistance	启动电容 Start Capacity	运行电容 Run Capacity	启动继电器 Start Potential Relay		
QR44	2060	10.2	65	F	≥2860	2.88	1.01	156~186μF /330V	35μF/450V	吸和电压: 180-195V Pick Up at: 180-195V 释放电压: 40-105V Drop Out at: 40-105V	1500	SUNISO 3GS
QR52	2420	12.5	65			2.88	1.01					
QR58	2680	13.5	70			2.68	0.69					
QR62	2930	14.5	70			2.68	0.69					



中/高回压压缩机R22

Medium/High Back Pressure Compressor R22



- 冷凝温度范围 ≤ 65°C
Condensing Temp Range ≤ 65°C
- 压缩机保护装置采用内置式保护器和安全阀
Compressor Internal Protectors: Internal Motor Protector and Pressure Relief Valve
- 电源60Hz时制冷量等于50Hz时制冷量的1.2倍
To obtain refrigeration capacity at 60Hz, multiply its values at 50Hz by 1.2
- * 冷凝温度为45°C
* Condensing Temp : 45°C

性能参数/Performance parameter

压缩机型号 Model	马力 (HP) Horsepower (H.P.)	气缸排气量 (CC) Displacement (cm ³)	电源 Power source	冷凝温度 The condensing temperature	名义制冷量 (W) Nominal Capacity	能效比w/w COP	噪声dB(A) (声压级) Noise (SPL)	蒸发温度 (W) The Evaporating Temperature (W)					
								-25°C -12°F	-15°C +5°F	-10°C +14°F	0°C +32°F	+7.2°C +45°F	+15°C +59°F
QR3-44	2	44	220V/3PH /60Hz 380V/3PH /50Hz 380V/3PH /60Hz 460V/3PH /60Hz	54.5°C/50Hz	5770	2.9	≤62	1320*	1960	2480	4300	5770	7830
QR3-52	2.5	52			7050	2.9	≤64	1610*	2370	3180	5300	7050	9200
QR3-58	3	58.2			7900	3	≤65	1820*	2720	3680	5950	7900	10300
QR3-62	3	62.7			8500	3	≤65	1950*	2890	3830	6300	8500	11450
QR3-74	3.5	74.2			9860	2.9	≤65	2038*	3000	4300	7330	9860	12900
QR3-90	4	90.2			11250	2.9	≤65	1330	3100	4370	7840	11250	16000
QR3-112	5	112.5			14900	2.8	≤66	2060	4470	6130	10600	14900	20660
QR3-124	6	124.4			16640	2.8	≤67	2500	5160	6970	11860	16640	23360
QR3-134	7	134.8			17800	2.75	≤69	2800	5630	7500	12630	17800	25200

应用参数/Application parameter

压缩机型号 Model	输入功率 W Motorinput	额定电流 A RLA	堵转电流 A LRA	电机数据			绕组电阻Ω (25°C) Line to Line Resistance	冷冻机油注入量 CC Refrigerator Oil Charge	冷冻机油牌号 Refrigerator Oil Grade
				绝缘等级 Insulation Level	转速 rev/min Revolutions	堵转电流 A LRA			
QR3-44	2060	3.8	30	F	≥2860	6.8	1500	SUNISO 3GS	
QR3-52	2420	4.7	30			6.8			
QR3-58	2680	5	39			4			
QR3-62	2930	5.4	39			4			
QR3-74	3660	6.7	39			3.4	2000	SUNISO 4GS	
QR3-90	3980	7.3	55			3.6			
QR3-112	5250	9.6	70			2.2			
QR3-124	5860	10.6	70			2.2			
QR3-134	6300	11.7	70			2			

中/高回压并联压缩机R404a

Medium/High Back Pressure Parallel/Double inspiratory Compressor R404a



- 冷凝温度范围 $\leq 65^{\circ}\text{C}$
Condensing Temp Range $\leq 65^{\circ}\text{C}$
- 压缩机保护装置采用内置式保护器和安全阀
Compressor Internal Protectors: Internal Motor Protector and Pressure Relief Valve
- 电源60Hz时制冷量等于50Hz时制冷量的1.2倍
To obtain refrigeration capacity at 60Hz, multiply its values at 50Hz by 1.2
- *冷凝温度为 45°C
*Condensing Temp: 45°C

性能参数/Performance parameter

压缩机型号 Model	马力(HP) Horsepower (H.P.)	气缸排气量 (CC) Displacement (cm ³)	电源 Power source	冷凝温度 The condensing temperature	名义制冷量 (W) Nominal Capacity	能效比w/w COP	噪声dB(A) (声压级) Noise (SPL)	蒸发温度 (W) The Evaporating Temperature (W)					
								-25°C -12°F	-15°C +5°F	-10°C +14°F	0°C +32°F	+7.2°C +45°F	+15°C +59°F
QR3-44P	2	44	220V/3PH /60Hz 380V/3PH /50Hz 380V/3PH /60Hz 460V/3PH /60Hz	54.5°C/50Hz	5977	2.9	≤ 62	1379*	1850	2580	4370	5977	8110
QR3-52P	2.5	52			7146	2.9	≤ 64	1508*	2260	3240	5400	7146	9320
QR3-58P	3	58.2			7967	3	≤ 65	1635*	2390	3310	5720	7967	10240
QR3-62P	3	62.7			8613	3	≤ 65	1998*	2970	3960	6420	8613	11540
QR3-74P	3.5	74.2			9984	2.9	≤ 65	3078*	2805	4296	7276	9814	13056
QR3-90P	4	90.2			11300	2.9	≤ 65	1510	3388	4425	7956	11300	15719
QR3-112P	5	112.5			14780	2.8	≤ 66	3965	4360	5890	10450	14780	20230
QR3-124P	6	124.4			16650	2.8	≤ 67	5146	5320	7080	11970	16650	22760
QR3-134P	7	134.8			18230	2.8	≤ 69	5453	5780	7710	13120	18230	24806

应用参数/Application parameter

压缩机型号 Model	输入功率 W Motorinput	额定电流 A RLA	堵转电流 A LRA	电机数据			冷冻机油注入量 CC Refrigerator Oil Charge	冷冻机油牌号 Refrigerator Oil Grade
				绝缘等级 Insulation Level	转速 rev/min Revolutions	绕组电阻 Ω (25°C) Line to Line Resistance		
QR3-44P	2300	3.8	30	F	≥ 2860	6.8	1500	EMKARATE RL32H
QR3-52P	2700	4.7	30			6.8		
QR3-58P	3080	5	39			4		
QR3-62P	3310	5.4	39			4		
QR3-74P	4250	6.7	39			3.4		
QR3-90P	4600	7.3	55			3.6	2000	
QR3-112P	6100	9.6	70			2.2		
QR3-124P	6800	10.6	70			2.2		
QR3-134P	7400	11.7	70			2		

中/高回压并联压缩机R22

Medium/high Back Pressure Parallel/
Double Inspiratory Compressor R22



- 冷凝温度范围 $\leq 65^{\circ}\text{C}$
Condensing Temp Range $\leq 65^{\circ}\text{C}$
- 压缩机保护装置采用内置式保护器和安全阀
Compressor Internal Protectors: Internal Motor Protector and Pressure Relief Valve
- 电源60Hz时制冷量等于50Hz时制冷量的1.2倍
To obtain refrigeration capacity at 60Hz, multiply its values at 50Hz by 1.2
- *冷凝温度为 45°C
*Condensing Temp: 45°C

性能参数/Performance parameter

压缩机型号 Model	马力 (HP) Horsepower (H.P.)	气缸排气量 (CC) Displacement (cm ³)	电源 Power source	冷凝温度 The condensing temperature	名义制冷量 (W) Nominal Capacity	能效比w/w COP	噪声dB(A) (声压级) Noise (SPL)	蒸发温度 (W) The Evaporating Temperature (W)					
								-25°C -12°F	-15°C +5°F	-10°C +14°F	0°C +32°F	+7.2°C +45°F	+15°C +59°F
QR3-44P	2	44	220V/3PH /60Hz 380V/3PH /50Hz 380V/3PH /60Hz 460V/3PH /60Hz	54.5°C/50Hz	5770	2.9	≤ 62	1320*	1960	2480	4300	5770	7830
QR3-52P	2.5	52			7050	2.9	≤ 64	1610*	2370	3180	5300	7050	9200
QR3-58P	3	58.2			7900	3	≤ 65	1820*	2720	3680	5950	7900	10300
QR3-62P	3	62.7			8500	3	≤ 65	1950*	2890	3830	6300	8500	11450
QR3-74P	3.5	74.2			9860	2.9	≤ 65	2038*	3000	4300	7330	9860	12900
QR3-90P	4	90.2			11250	2.9	≤ 65	1330	3100	4370	7840	11250	16000
QR3-112P	5	112.5			14900	2.8	≤ 66	2060	4470	6130	10600	14900	20660
QR3-124P	6	124.4			16640	2.8	≤ 67	2500	5160	6970	11860	16640	23360
QR3-134P	7	134.8			17800	2.75	≤ 69	2800	5630	7500	12630	17800	25200

应用参数/Application parameter

电机数据							冷冻机油注入量 CC Refrigerator Oil Charge	冷冻机油牌号 Refrigerator Oil Grade
压缩机型号 Model	输入功率 W Motorinput	额定电流 A RLA	堵转电流 A LRA	绝缘等级 Insulation Level	转速 rev/min Revolutions	绕组电阻 Ω (25°C) Line to Line Resistance		
QR3-44P	2060	3.8	30	F	≥ 2860	6.8	1500	SUNISO 3GS
QR3-52P	2420	4.7	30			6.8		
QR3-58P	2680	5	39			4		
QR3-62P	2930	5.4	39			4		
QR3-74P	3660	6.7	39			3.4		
QR3-90P	3980	7.3	55			3.6	2000	SUNISO 4GS
QR3-112P	5250	9.6	70			2.2		
QR3-124P	5860	10.6	70			2.2		
QR3-134P	6300	11.7	70			2		

低回压压缩机R404a

Low Back Pressure Compressor R404a2



- 冷凝温度范围 $\leq 65^{\circ}\text{C}$
Condensing Temp Range $\leq 65^{\circ}\text{C}$
- 压缩机保护装置采用内置式保护器和安全阀
Compressor Internal Protectors: Internal Motor Protector and Pressure Relief Valve
- 电源60Hz时制冷量等于50Hz时制冷量的1.2倍
To obtain refrigeration capacity at 60Hz, multiply its values at 50Hz by 1.2
- *冷凝温度为 50°C
*Condensing Temp: 50°C

性能参数/Performance parameter

压缩机型号 Model	马力(HP) Horsepower (H.P.)	气缸排气量(CC) Displacement (cm ³)	电源 Power source	冷凝温度 The condensing temperature	名义制冷量(W) Nominal Capacity	能效比w/w COP	噪声dB(A) (声压级) Noise (SPL)	蒸发温度(W) The Evaporating Temperature (W)						
								-40°C -40°F	-35°C -31°F	-30°C -22°F	-23.3°C -9.9°F	-20°C -4°F	-10°C +14°F	0°C +32°F
QL52	2.5	52	220-240V/1PH /50Hz	54.5°C/50Hz	2180	1.5	≤ 64	420*	730	1310	2189	2660	4410	6100
QL62	3	62.7	208-230V/1PH /60Hz		2760	1.5	≤ 65	720*	1040	1728	2765	2930	5421	7900
QL3-52	2.5	52	220V/3PH /60Hz		2180	1.5	≤ 64	420*	730	1310	2180	2660	4410	6100
QL3-74	3.5	74.2	380V/3PH /50Hz		3135	1.5	≤ 65	1200*	1380	2016	3135	3796	6220	8644
QL3-112	5	112.5	380V/3PH /60Hz		4350	1.5	≤ 66	1407*	1743	2704	4350	5335	9038	12740
QL3-134	7	134.8	460V/3PH /60Hz		5520	1.5	≤ 66	2012*	2378	3540	5520	6688	11060	15430

应用参数/Application parameter

压缩机型号 Model	电机数据						冷冻机油注入量 CC Refrigerator Oil Charge	冷冻机油牌号 Refrigerator Oil Grade
	输入功率 W Motorinput	额定电流 A RLA	堵转电流 A LRA	绝缘等级 Insulation Level	转速 rev/min Revolutions	绕组电阻 Ω (25°C) Line to Line Resistance		
Q52	1380	6.8	63	F	≥ 2860	6.8	1500	EMKARATE RL32H
QL62	1800	11.1	74					
QL3-52	1380	2.5	28					
QL3-74	2060	3.2	36				2000	
QL3-112	2830	5	68					
QL3-134	3620	6.3	68					



涡旋式压缩机R404a

Scroll Compressor R404a



- 冷凝温度范围 ≤65°C
Condensing Temp Range ≤65°C
- 电源60Hz时制冷量等于50Hz时制冷量的1.2倍
To obtain refrigeration capacity at 60Hz,
multiply its values at 50Hz by 1.2
- *冷凝温度为40°C
*Condensing Temp: 40°C

性能参数/Performance parameter

压缩机型号 Model	马力 (HP) Horsepower (H.P.)	气缸排气量 (CC) Displacement (cm ³)	电源 Power source	冷凝温度 The condensing temperature	名义制冷量 (W) Nominal Capacity	能效比W/W COP	噪声dB(A) (声压级) Noise (SPL)	蒸发温度 (W) The Evaporating Temperature (W)					
								-20°C -4°F	-15°C +5°F	-10°C +14°F	0°C +32°F	+7.2°C +45°F	+15°C +59°F
QRV3-114	7	114.5	380V/3PH /50Hz 460V/3PH /60Hz	54.5°C/50Hz	19300	3.15	≤73	6700*	8700*	9000	14200	19300	25800
QRV3-127	8	127.2			21600	3.15	≤73	7600*	9800*	10100	15900	21600	28700
QRV3-144	9	144.2			24600	3.17	≤77	8700*	11300*	11600	18100	24600	32700
QRV3-166	10	166.6			28600	3.18	≤77	10200*	13200*	13500	21000	28600	37800
QRV3-199	12	199			35100	3.19	≤79	11600*	15000*	15200	23700	31500	42500
QRV3-216	13	216.6			37900	3.21	≤80.5	13600*	17600*	18100	28200	37900	50300
QRV3-233	14	233			40100	3.17	≤81	14400*	18600*	19000	27800	40100	53000
QRV3-250	15	249.9			43100	3.16	≤81	15500*	20000*	20600	32000	43100	56900

应用参数/Application parameter

压缩机型号 Model	输入功率 W Motorinput	额定电流 A RLA	堵转电流 A LRA	电机数据			绕组电阻 Ω (25°C) Line to Line Resistance	冷冻机油注入量 CC Refrigerator Oil Charge	冷冻机油牌号 Refrigerator Oil Grade
				绝缘等级 Insulation Level	转速 rev/min Revolutions				
QRV3-114	6130	11.1	86	F	≥2860	1.74	3250	EMKARATE RL32H	
QRV3-127	6840	12.3	98			1.48			
QRV3-144	7760	14.1	130			1.05			
QRV3-166	8980	16.4	130			1.05	3300		
QRV3-199	10990	19	145			0.94			
QRV3-216	11830	20.4	145			0.94	6600		
QRV3-233	12670	22.3	175			0.77			
QRV3-250	13620	24.1	175			0.77			

涡旋式压缩机R22/R407C

Scroll Compressor R22/R407C



- 冷凝温度范围 ≤ 65°C
Condensing Temp Range ≤ 65°C
- 电源60Hz时制冷量等于50Hz时制冷量的1.2倍
To obtain refrigeration capacity at 60Hz,
multiply its values at 50Hz by 1.2
- *冷凝温度为40°C
*Condensing Temp: 40°C

性能参数/Performance parameter

压缩机型号 Model	马力 (HP) Horsepower (H.P.)	气缸排气量 (CC) Displacement (cm ³)	电源 Power source	冷凝温度 The condensing temperature	名义制冷量 (W) Nominal Capacity	能效比W/W COP	噪声dB(A) (声压级) Noise (SPL)	蒸发温度 (W) The Evaporating Temperature (W)					
								-20°C -4°F	-15°C +5°F	-10°C +14°F	0°C +32°F	+7.2°C +45°F	+15°C +59°F
QRV3-114	7	114.5	380V/3PH /50Hz 460V/3PH /60Hz	54.5°C/50Hz	20400	3.33	≤70	7100*	9300*	9200	15000	20400	26900
QRV3-127	8	127.2			23100	3.33	≤70	8500*	10900*	11200	17400	23100	30200
QRV3-144	9	144.2			25900	3.32	≤75	9500*	12200*	12700	19600	25900	33700
QRV3-166	10	166.6			30100	3.36	≤75	11100*	14300*	14600	22800	30100	38900
QRV3-199	12	199			36100	3.34	≤79	13100*	16700*	16700	25400	36100	43400
QRV3-216	13	216.6			39000	3.37	≤79.5	14700*	19600*	19600	29700	39000	50600
QRV3-233	14	233			42000	3.37	≤80	16000*	25200*	21000	32000	42000	54400
QRV3-250	15	249.9			45500	3.34	≤80	17300*	21900*	22600	34600	45500	58900

应用参数/Application parameter

压缩机型号 Model	输入功率 W Motorinput	额定电流 A RLA	堵转电流 A LRA	电机数据			冷冻机油注入量 CC Refrigerator Oil Charge	冷冻机油牌号 Refrigerator Oil Grade
				绝缘等级 Insulation Level	转速 rev/min Revolutions	绕组电阻 Ω (25°C) Line to Line Resistance		
QRV3-114	6120	11	86	F	≥2860	1.74	3250	SUNISO 3GS
QRV3-127	6960	12.8	98			1.48		
QRV3-144	7820	14.4	130			1.05		
QRV3-166	8960	16.5	130			1.05	3300	
QRV3-199	10800	19.2	145			0.94		
QRV3-216	11590	20.6	145			0.94	6600	
QRV3-233	12460	22.3	175			0.77		
QRV3-250	13620	24.4	175			0.77		

中高温制冷室外机组R404a

Medium/High Temperature Condensing Unit R404a

- 电源60Hz时制冷量等于50Hz时制冷量的1.2倍
To obtain refrigeration capacity at 60Hz, multiply its values at 50Hz by 1.2



性能参数/Performance parameter

压缩机型号 Model	马力 (HP) Horsepower (H.P.)	气缸排气量 (CC) Displacement (cm ³)	电源 Power source	冷凝温度 The condensing temperature	名义制冷量 (W) Nominal Capacity	噪声dB(A) (声压级) Noise (SPL)	蒸发温度 (W) The Evaporating Temperature (W)							
							-25°C -12°F	-15°C +5°F	-10°C +14°F	-5°C +23°F	0°C +32°F	+5°C +41°F	+7.2°C +45°F	+15°C +59°F
QR44H	2	44	220-240V /1PH/50Hz 208-230V /1PH/60Hz	35°C/50Hz	3200	≤56	1491	2314	2910	3557	4200	4761	5322	6592
QR58H	3	58.2			5000	≤57	2224	3611	4360	5261	6163	6880	7597	9277
QR3-44H	2	44	380V/3PH/50Hz 460V/3PH/60Hz		3200	≤57	1491	2314	2910	3557	4200	4761	5332	6592
QR3-58H	3	58.2			5000	≤57	2224	3611	4360	5261	6163	6880	7597	9277
QR3-74H	3.5	74			6000	≤57	2892	4157	5137	6287	7438	8316	9194	11300
QR3-90H	4	90.2			7000	≤58	3010	4486	5569	7026	8483	9863	11244	14507
QR3-112H	5	112.5			8000	≤62	4317	5954	7607	9527	11447	12882	14317	17813
QR3-124H	6	124.4			8800	≤63	4020	6579	8566	10662	12759	14490	16221	20116
QR3-134H	7	134.8			9200	≤64	5368	7033	8739	10686	12634	14111	15589	19298

应用参数/Application parameter

电机数据(MOTOR DATA)						冷冻机油牌号 Refrigerator Oil Grade
压缩机型号 Model	制冷剂充注量 REFRIGERANT CHARGE(kg)	制冷体积 REFRIGERANT COOL VOLUME(m ³)	蒸发面积 REFRIGERANT EVAPORATING(m ²)	铜管尺寸 PIPE(mm)	风扇尺寸 Fan Size	
QR44H	2~2.5	25	20-25	IN φ16 OUT φ10	1Ad.400mm	RL-32H
QR58H	2.5-3.5	40	25-30		1Ad.450mm	
QR3-44H	2-2.5	25	20-25		1Ad.400mm	
QR3-58H	2.5-3.5	40	25-30		1Ad.450mm	
QR3-74H	2.5-3.5	45	35	IN φ19 OUT φ12	2Ad.450mm	
QR3-90H	3-4	50	25-35			
QR3-112H	5.5-6.5	70	30-45			
QR3-124H	6-7	80	40-48			
QR3-134H	6.5-7.5	90	40-55			
RATED CONDITION(°C) 额定工况						
蒸发温度 EVAPORATING TEMP	冷凝温度 CONDENSING TEMP	液态温度 LIQUID TEMP	环境温度 AMBIENT TEMP			
-6.7	48.9	40.6	43			

中高温制冷室外机组R22

Medium/High Temperature Condensing Unit R22

- 电源60Hz时制冷量等于50Hz时制冷量的1.2倍

To obtain refrigeration capacity at 60Hz,
multiply its values at 50Hz by 1.2



性能参数/Performance parameter

压缩机型号 Model	马力 (HP) Horsepower (H.P.)	气缸排气量 (CC) Displacement (cm ³)	电源 Power source	冷凝温度 The condensing temperature	名义制冷量 (W) Nominal Capacity	噪声dB(A) (声压级) Noise (SPL)	蒸发温度 (W) The Evaporating Temperature (W)							
							-25°C -12°F	-15°C +5°F	-10°C +14°F	-5°C +23°F	0°C +32°F	+5°C +41°F	+7.2°C +45°F	+15°C +59°F
QR44H	2	44	220-240V/1PH /50Hz	35°C/50Hz	3200	≤56	1282	2314	2910	3536	4200	4761	5322	6592
QR58H	3	58.2	208-230V/1PH /60Hz		5000	≤57	1699	3051	3838	4675	5580	6880	7597	8658
QR3-44H	2	44	380V/3PH/50Hz 460V/3PH/60Hz		3200	≤57	1282	2314	2910	3536	4200	4761	5332	6592
QR3-58H	3	58.2			5000	≤57	1699	3051	3838	4675	5580	6880	7597	8658
QR3-74H	3.5	74			6000	≤57	1890	3922	4877	6060	7182	8316	9193	10720
QR3-90H	4	90.2			7000	≤58	2347	4486	5569	6998	8483	9813	11244	14507
QR3-112H	5	112.5			8000	≤62	3218	5954	7607	8997	11447	12882	14317	17813
QR3-124H	6	124.4			8800	≤63	3220	6579	8566	10664	12759	14490	16221	20116
QR3-134H	7	134.8			9200	≤64	4613	7033	8739	10543	12634	14111	15589	19298

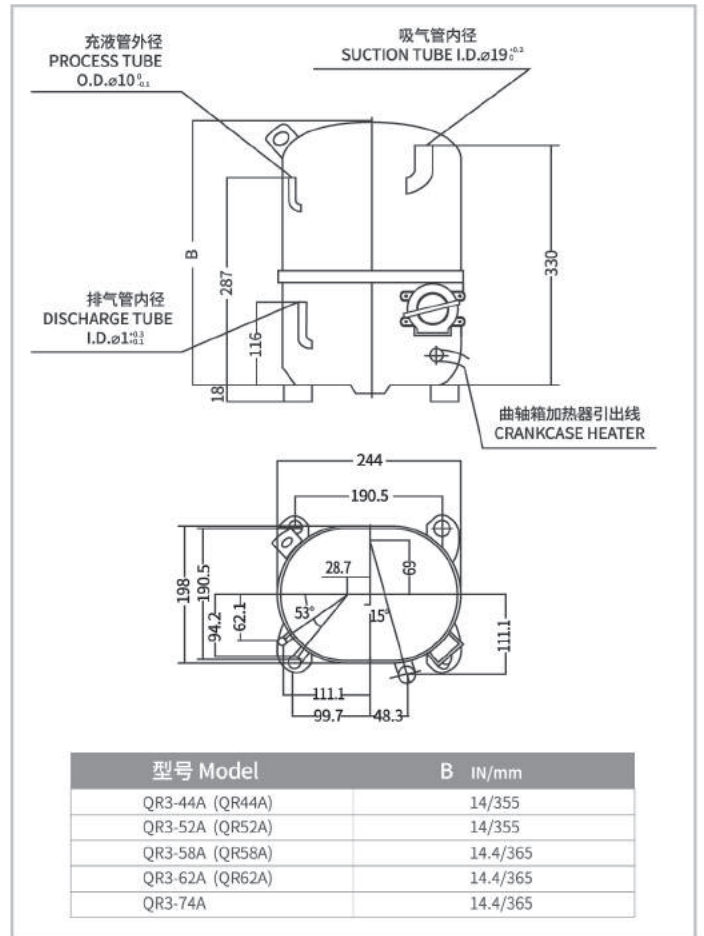
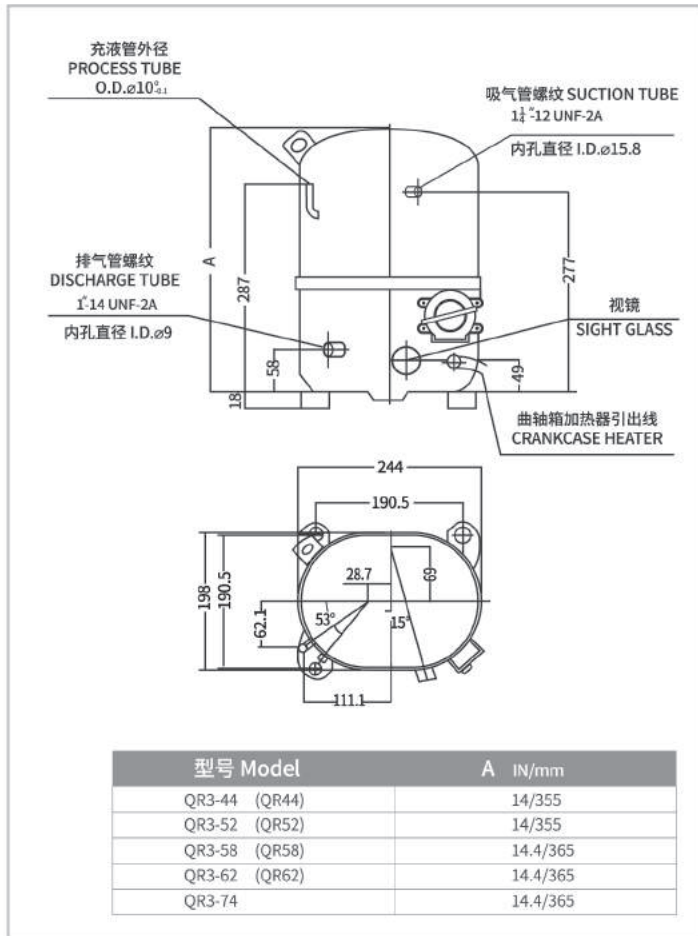
应用参数/Application parameter

电机数据						冷冻机油牌号 Refrigerator Oil Grade
压缩机型号 Model	制冷剂充注量 REFRIGERANT CHARGE(kg)	制冷体积 REFRIGERANT COOL VOLUME(m ³)	蒸发面积 REFRIGERANT EVAPORATING(m ²)	铜管尺寸 PIPE(mm)	风扇尺寸 Fan Size	
QR44H	2~2.5	25	20-25	IN φ16 OUTφ10	1Ad.400mm	SUNISO 3GS
QR58H	2.5-3.5	40	25-30		1Ad.450mm	
QR3-44H	2-2.5	25	20-25		1Ad.400mm	
QR3-58H	2.5-3.5	40	25-30		1Ad.450mm	
QR3-74H	2.5-3.5	45	35	IN φ19 OUTφ12	2Ad.450mm	SUNISO 4GS
QR3-90H	3-4	50	25-35			
QR3-112H	5.5-6.5	70	30-45			
QR3-124H	6-7	80	40-48			
QR3-134H	6.5-7.5	90	40-55			

RATED CONDITION(°C) 额定工况			
蒸发温度 EVAPORATING TEMP	冷凝温度 CONDENSING TEMP	液态温度 LIQUID TEMP	环境温度 AMBIENT TEMP
-6.7	48.9	40.6	43

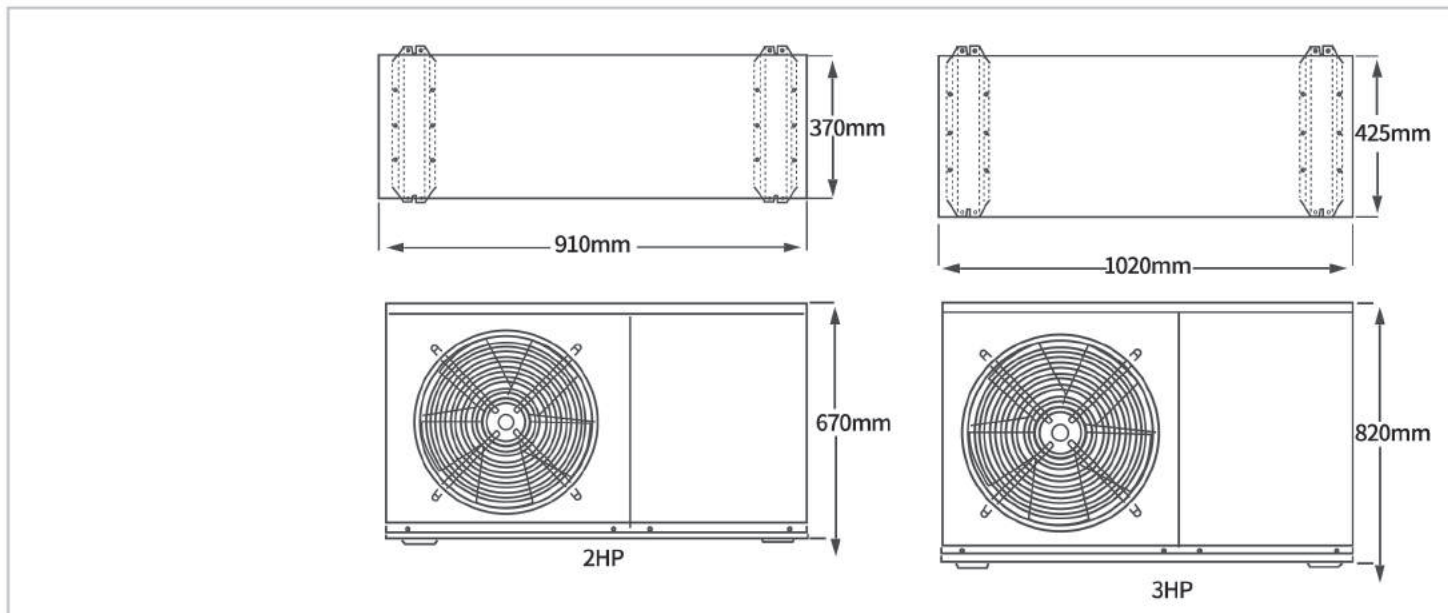
活塞式压缩机外形尺寸图

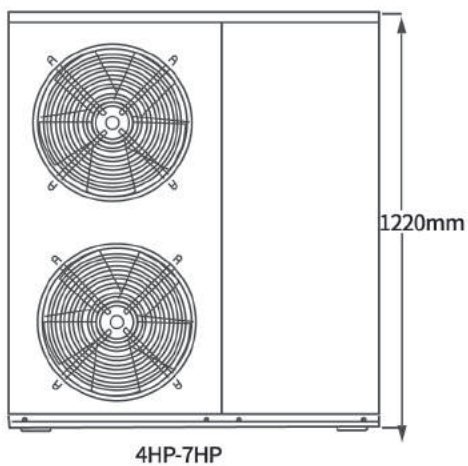
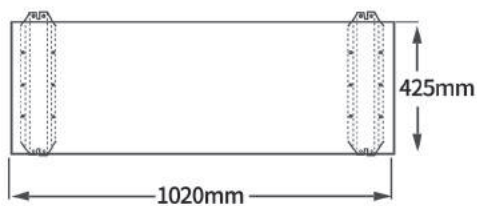
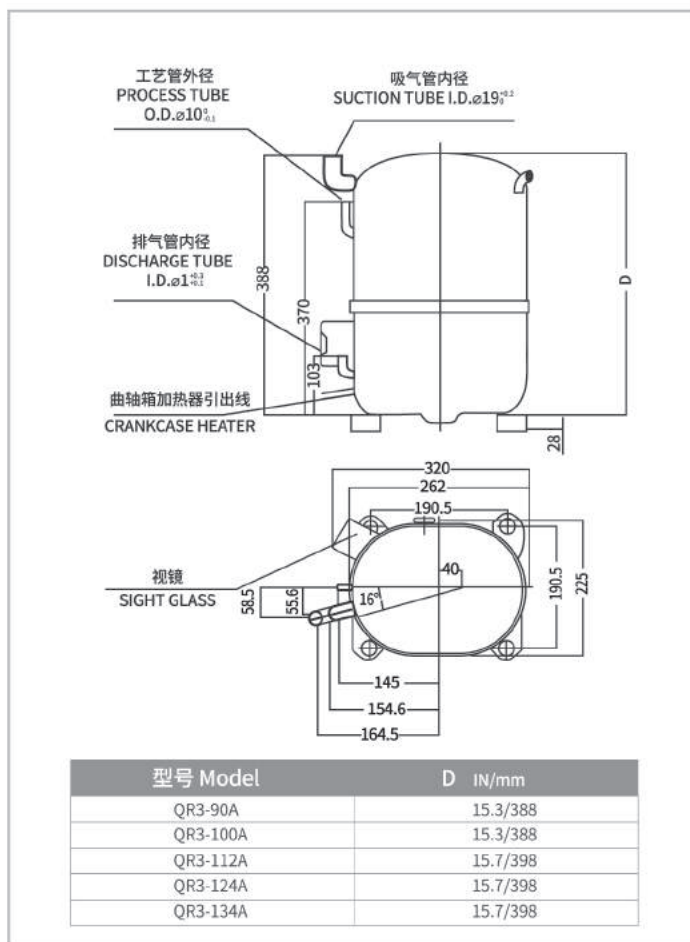
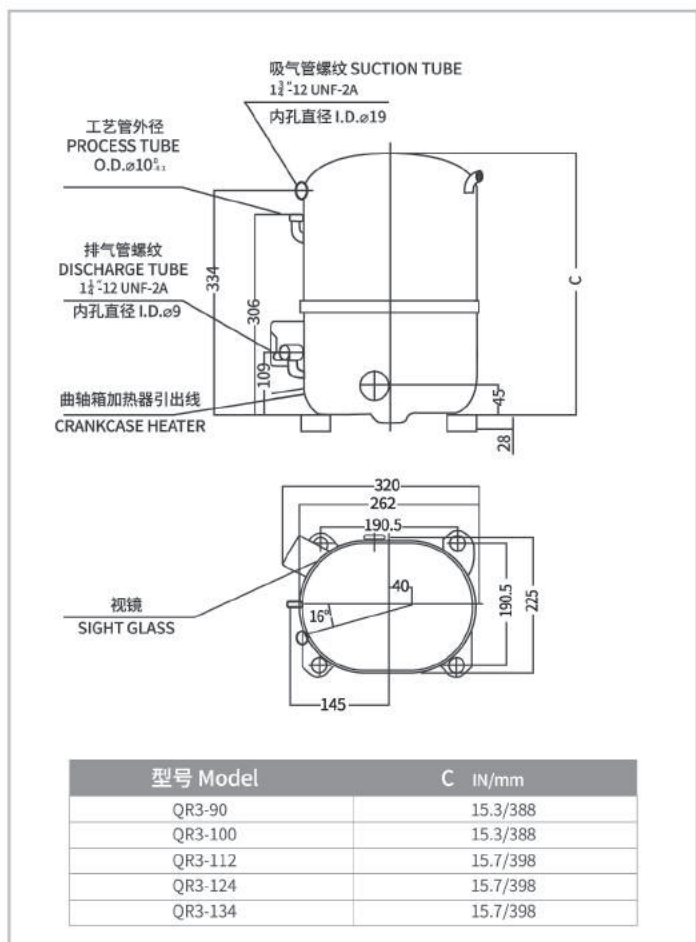
PISTON COMPRESSOR Dimensional Drawing



制冷机组尺寸图

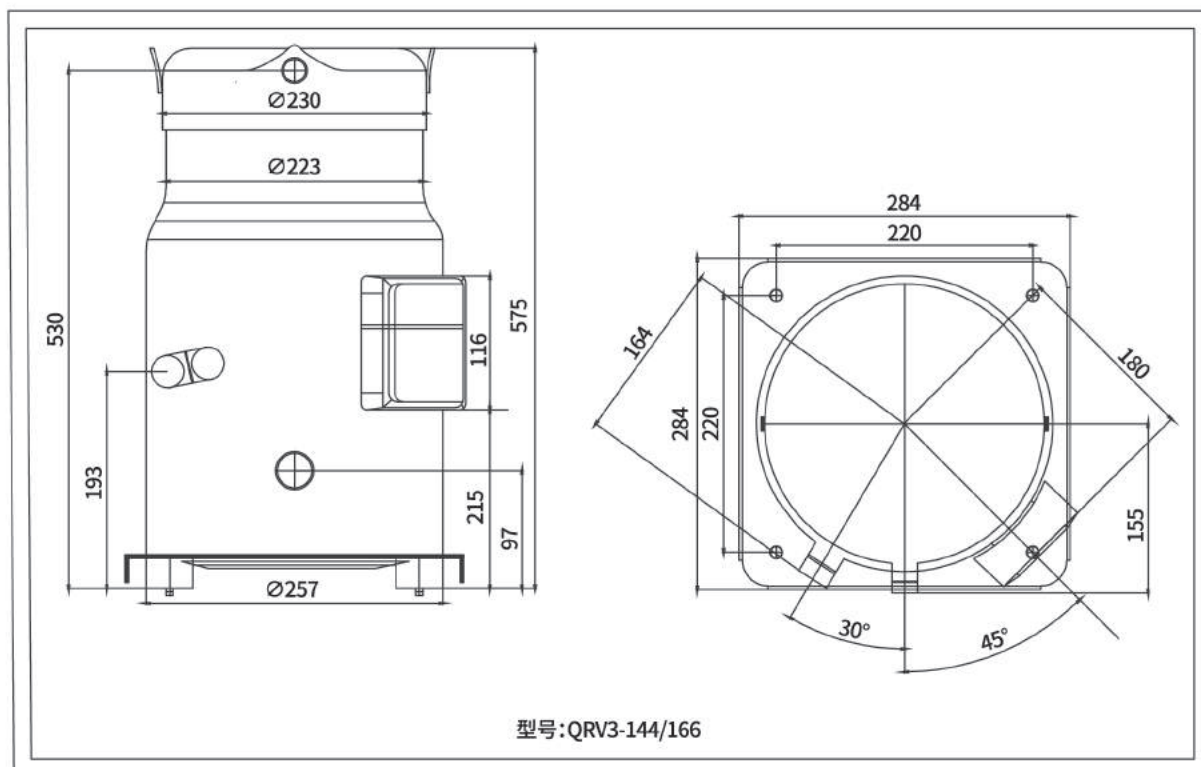
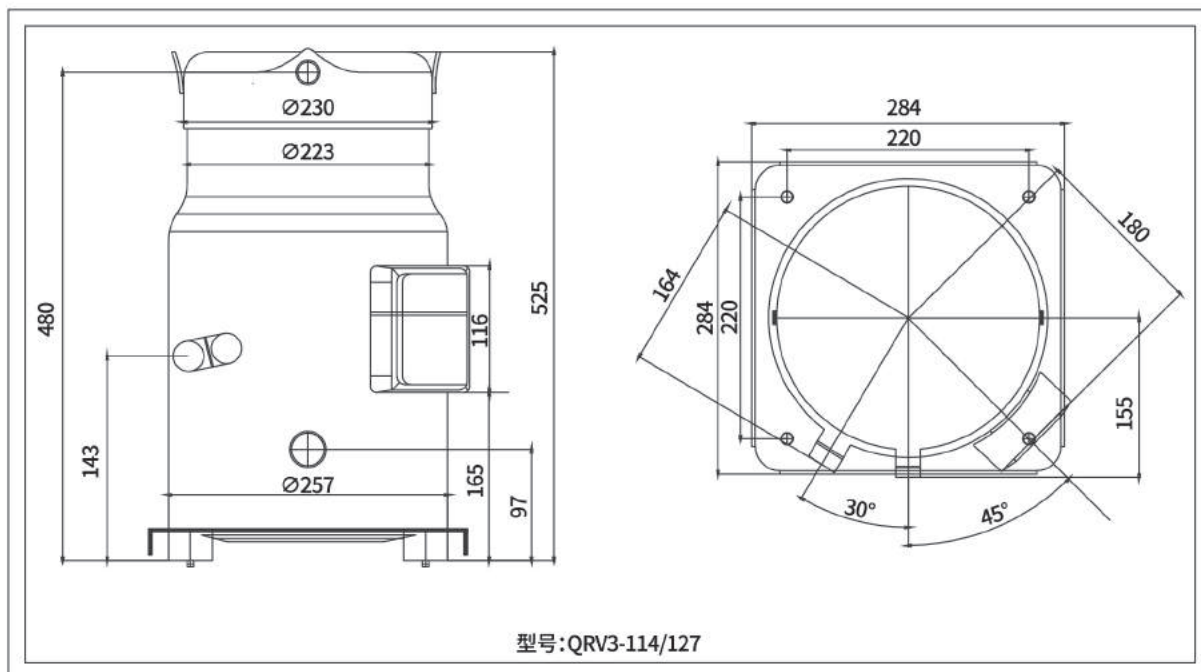
Condensing Unit Size

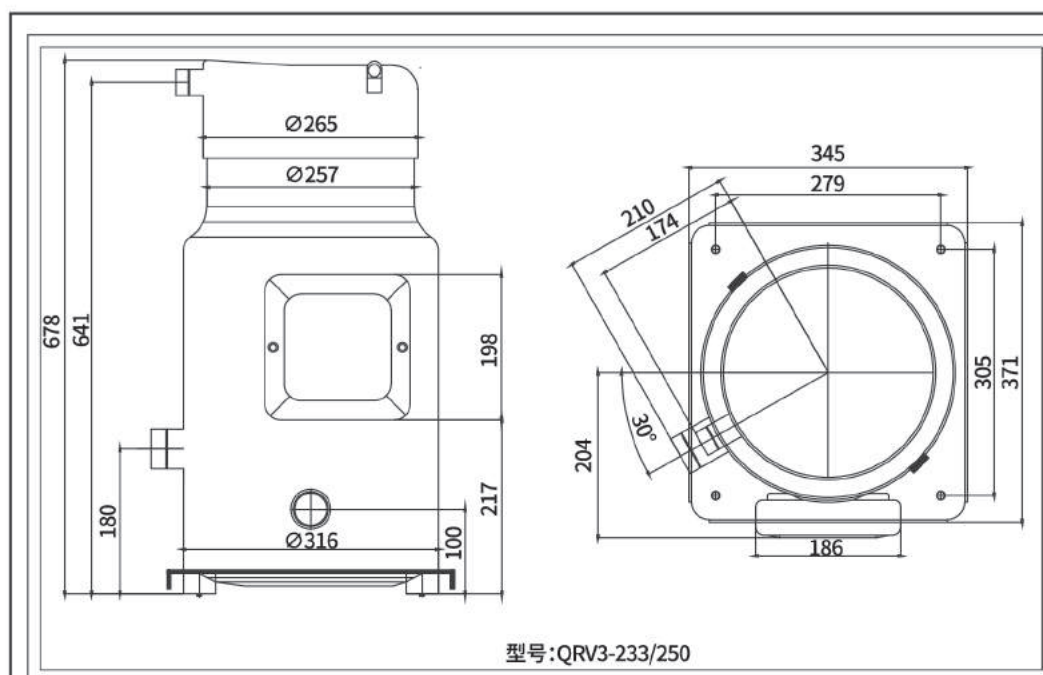
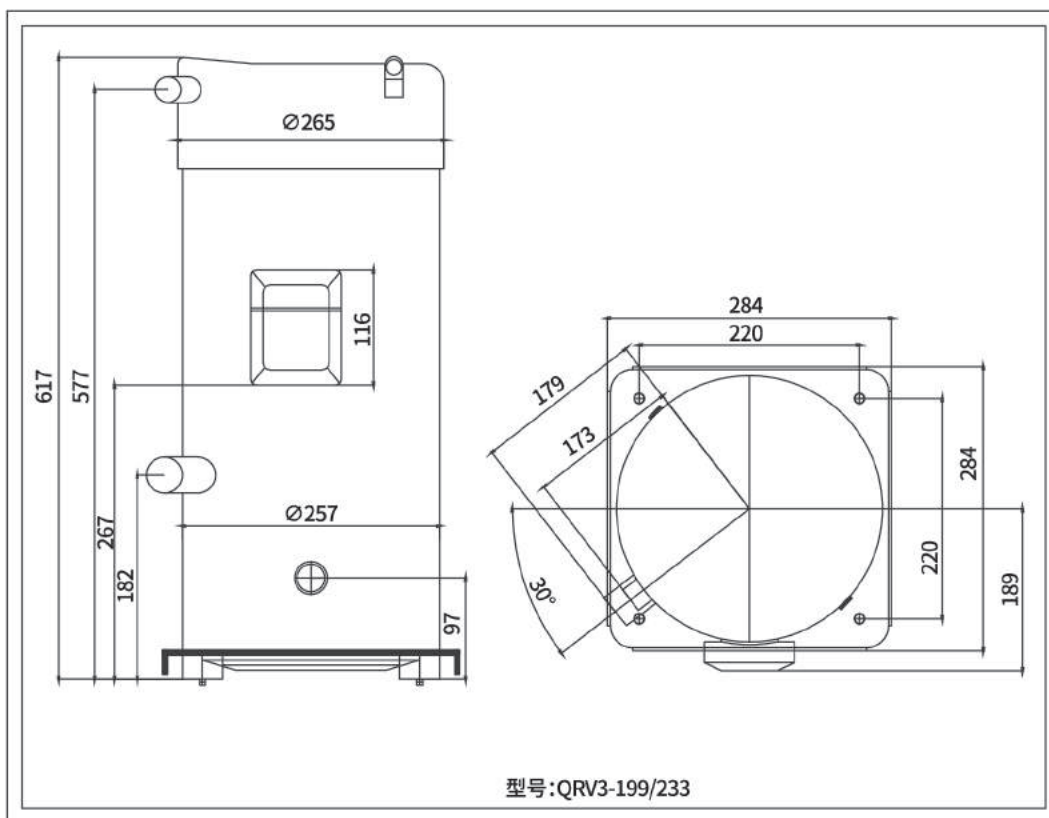




涡旋式压缩机外形尺寸图

SCROLL COMPRESSOR Dimensional Drawing





注意事项

Application Instructions

- 01** 压缩机出厂前已注入适量的冷冻机油，适用中不应随意添加和倒出，也不应随意加入其他牌号的冷冻机油，否则会损坏压缩机。

Oil has been charged in the compressor Do not add or subtract randomly. SUNISO 3GS is only been used.
- 02** 压缩机对残余水分含量要求较高，故在将压缩机接入制冷系统前方可拔去各管口橡胶塞，并在 10 分钟内完成焊接（装配），以免水分进入压缩机而对整个制冷系统造成危害。

DON't open the compressor plugs more than 10 minutes before use to prevent moisture from getting into the compressor.
- 03** 运行中的压缩机电机是由制冷介质 R404a/R22 冷却的，在缺少制冷介质的情况下不得运行压缩机。

The compressor's motor is cooled by refrigerant R404a/R22, Don't operate compressor without refrigerant R404a/R22.
- 04** 压缩机内部处于真空状态时严禁运行压缩机，否则内部的弧形电流将损坏内部零件。

The compressor should not be operated while under vacuum; otherwise, internal arcing can cause damaging parts.
- 05** 压缩机运行停机后再次启动应间隔 3 分钟以上。

Three minutes shut-off time should be ensured at least until restarting.
- 06** 压缩机应与水平地面保持垂直，最大安装斜角不大于 5°。

The allowable incline should be less than 5 degree from vertical during operation.
- 07** 制冷剂充量应不大于 2.5 倍润滑油重量。

Max weight of refrigerant charge should be less than oil weight multiplied by 2.5.
- 08** 制冷剂应从制冷系统的冷凝器的尾端注入，而不能直接注入压缩机。

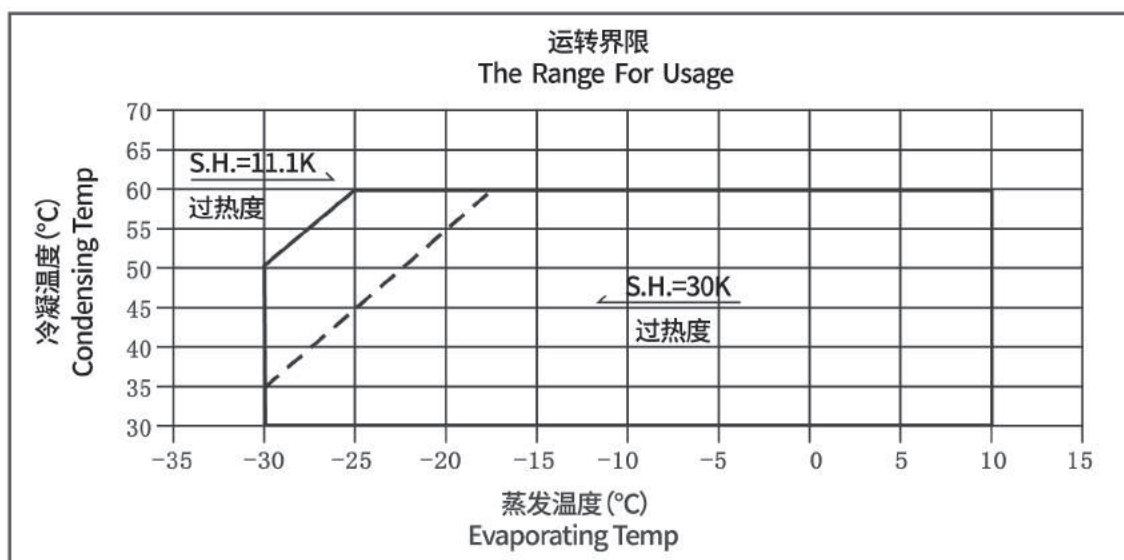
Refrigerant should be charged from the end of condenser of refrigerating systems, never charge refrigerant to the compressor directly.
- 09** 对于中温工况应用情况，压缩机前一般应配置适当体积的气液分离器，压缩机回气温度应保证不少于 2.8°C (5°F) 的过热度，以防液击的发生。

A suction accumulator is normally required for the compressor being used on medium backpressure condition. The return gas temperature must maintain 2.8°C (5° F) superheat above to prevent excessive liquid from entering compressor.
- 10** 压缩机启动前应仔细检查接线是否正确，并注意引出线不得与压缩机表面接触。

Before starting the compressor, check the wiring. And the lead wires should not be touched on the surface of the compressor.

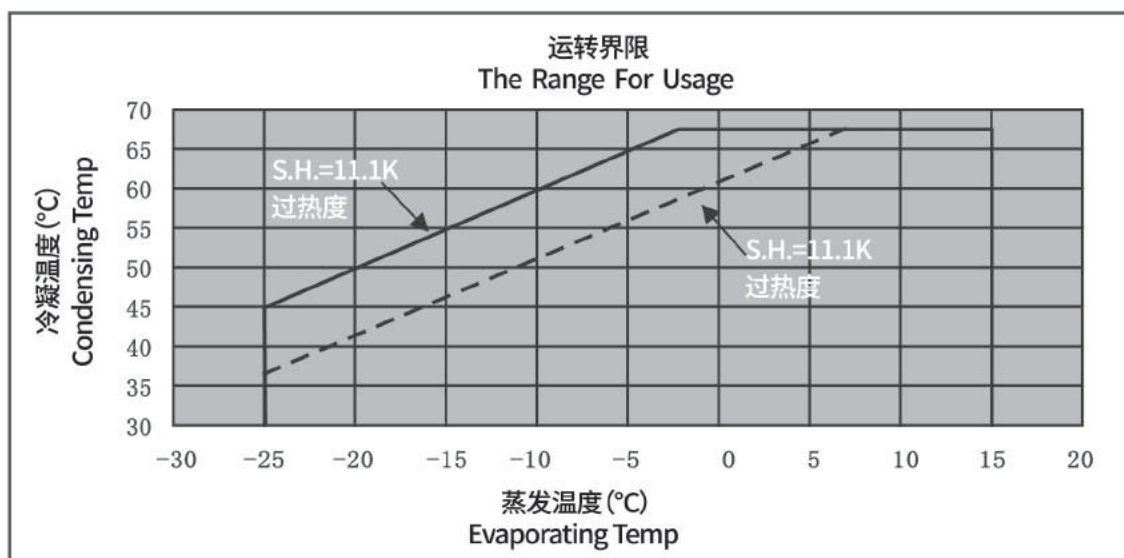
活塞式QR系列压缩机适用范围R404

QR MODELS Operating Conditions R404



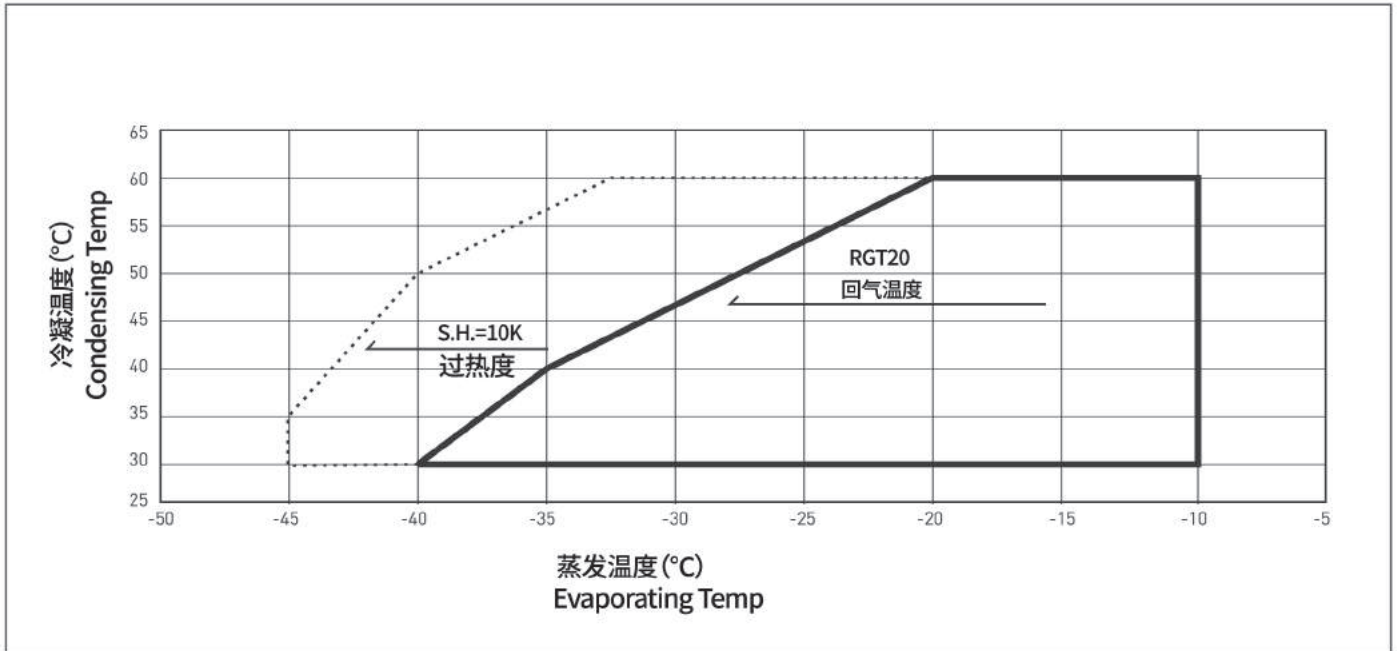
活塞式QR系列压缩机适用范围R22

QR MODELS Operating Conditions R22



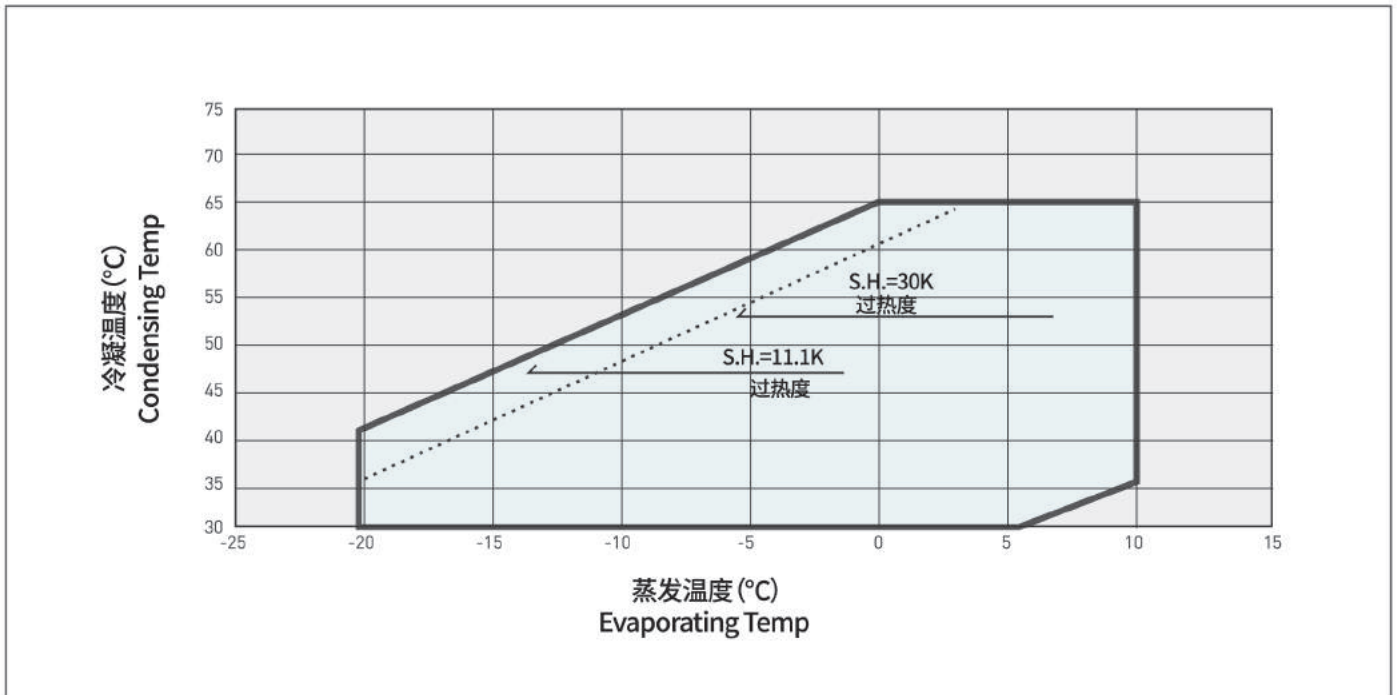
活塞式QL系列压缩机适用范围R404

QL MODELS Operating Conditions R404



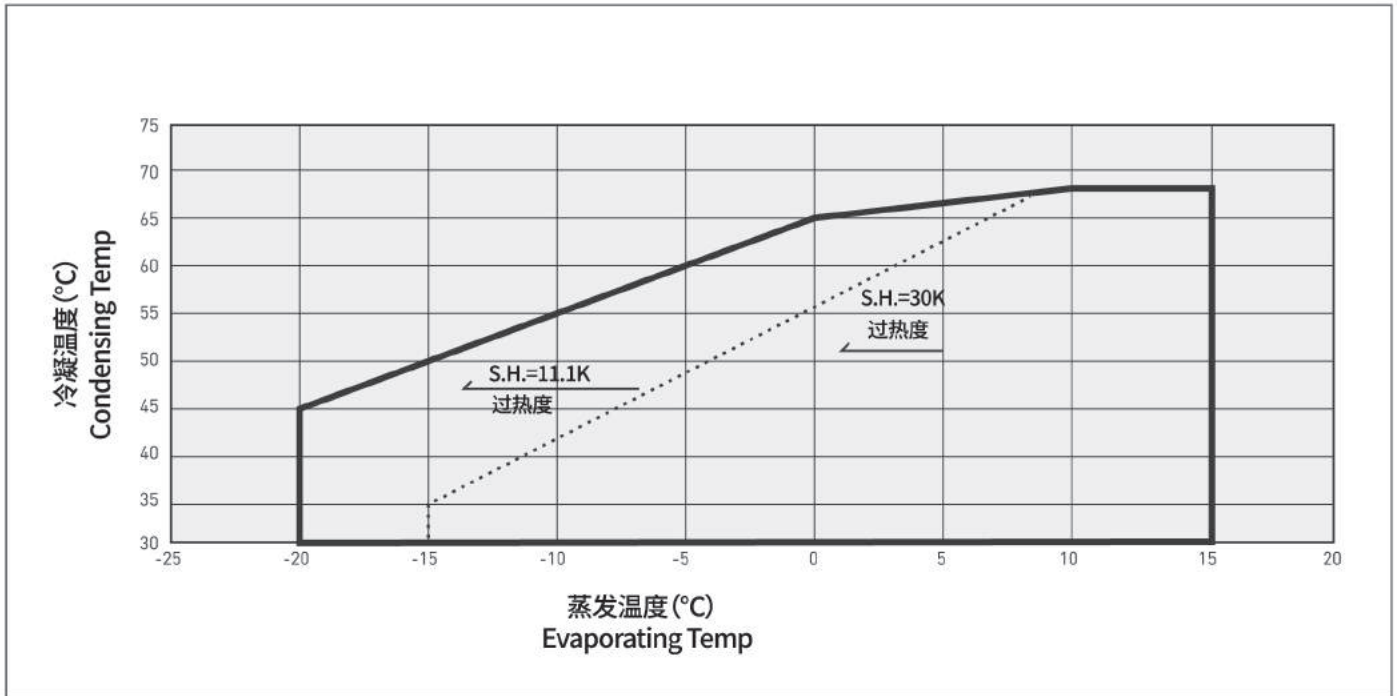
涡旋式QRV系列压缩机使用范围R404

QRV MODELS Operating Conditions R404



涡旋式QRV系列压缩机适用范围R22

QRV MODELS Operating Conditions R22



- 排气管温度 (QR/QL) Discharge Temperature (QR/QL): $\leq 150^{\circ}\text{C}$
排气管温度 (QRV) Discharge Temperature (QRV): $\leq 130^{\circ}\text{C}$
- 电机绕组温度 (QR/QL) Motor Wiring Temperature (QR/QL): $\leq 130^{\circ}\text{C}$
电机绕组温度 (QRV) Motor Wiring Temperature (QRV): $\leq 125^{\circ}\text{C}$
- 电压范围 (QR/QL) Voltage Range (QR/QL) :220V/1PH/50Hz 220-240V/1PH/60Hz
380V/3PH/50Hz 460V/3PH/60Hz
220V/3PH/50Hz 220V/3PH/60Hz
电压范围 (QRV) Voltage Range (QRV) :380V/3PH/50Hz,460V/3PH/60Hz
- 压缩机压缩比 Compressor Compression Ratio
根据每种压缩机的性能参数表,在边界条件工况下,压缩机仅能短时间运行,不得连续运行,以免损坏压缩机。
Refer to individual performance table envelope. Do not run continuously at boundaries,run only for a shot period of time at boundary conditions.

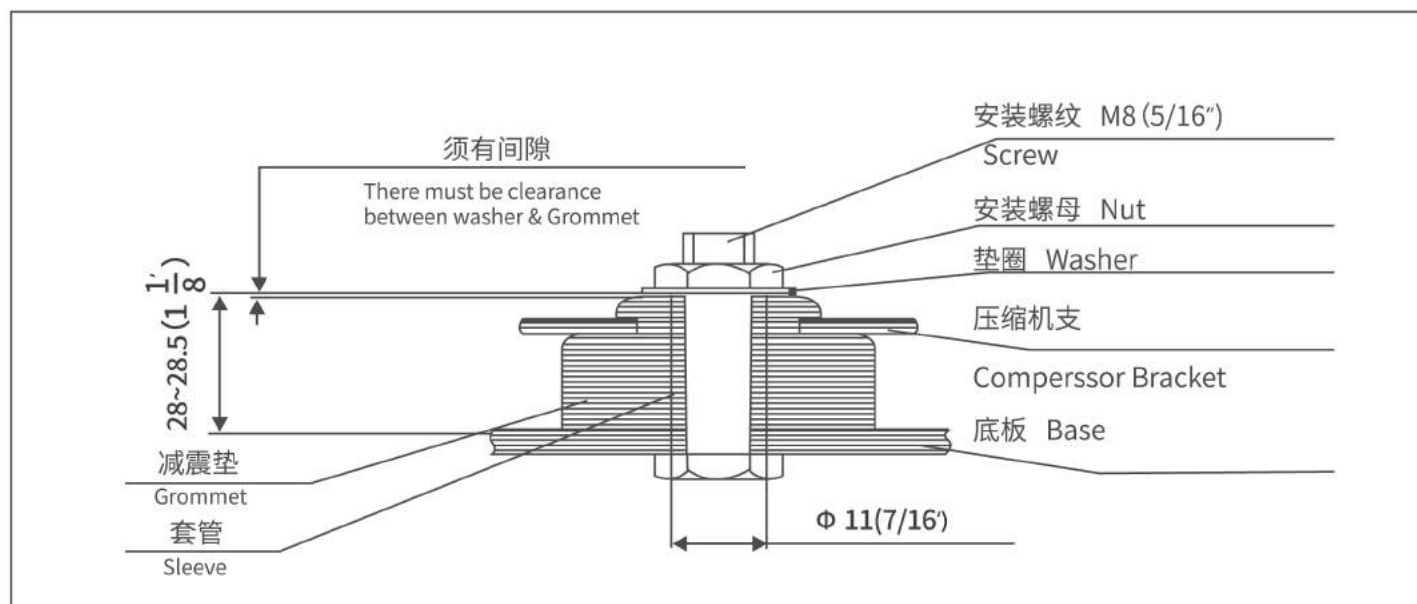
一般特性

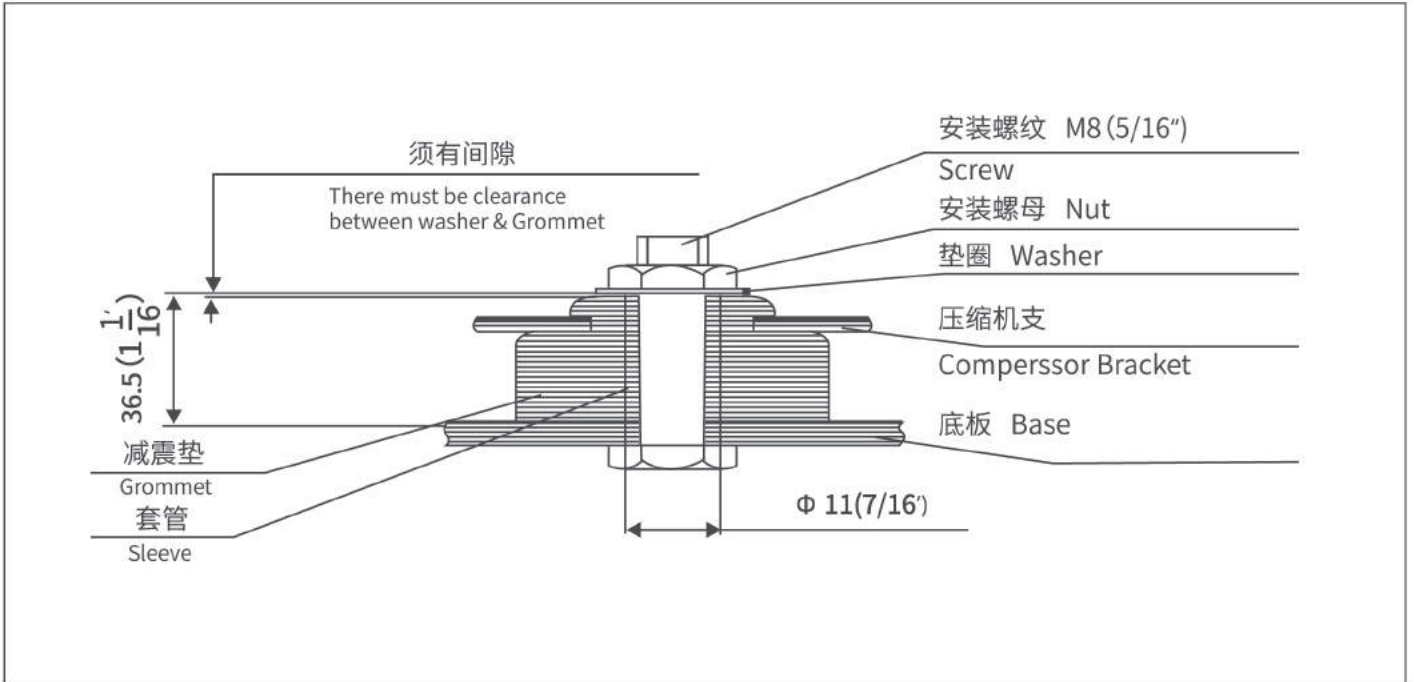
Characteristics

- 01** 压缩机表面采用黑色或蓝色烤漆，光洁、色泽一致，漆层附着牢固。
Painting: Black or blue Paint, Backed Smoothly & Firmly.
- 02** 压缩机外壳在 2.0Mpa 压力条件下历时 1 分钟，不允许有泄露。
The shell of compressor shall withstand the pressure of 2.0MPa for one minute, any leakage can't occur
- 03** 对地绝缘电阻不小于 200MΩ。
Insulation resistance (terminal to earth) should be more than 200MΩ.
- 04** 压缩机（冷态）应能承受接线柱对壳体之间施加 1250V，历时 1min 的耐压试验，电流设定为 5mA。
The compressor shall withstand high potential test (1250V/1min, between terminal to earth, current limit is 5 miliamps total).
- 05** 压缩机内部残余水分含量不大于 300mg，残余条质含量不大于 200mg。
Residual moisture should be less than 300mg, residual impurities should be less than 200mg.
- 06** 压缩机保护装置采用进口内置式保护器和安全阀，可有效防止由于冷媒泄露、风扇堵转等引起的对压缩机的损坏。
Compressor internal protectors include internal motor protector and pressure relief valve, which can effectively prevent the damage to compressor, caused by leakage of refrigerant and blocked fan condition.
- 07** 压缩机采用曲轴箱加热器（根据用户需求）。
According to purchaser's demand, crank case heater may be supplied.

安装图

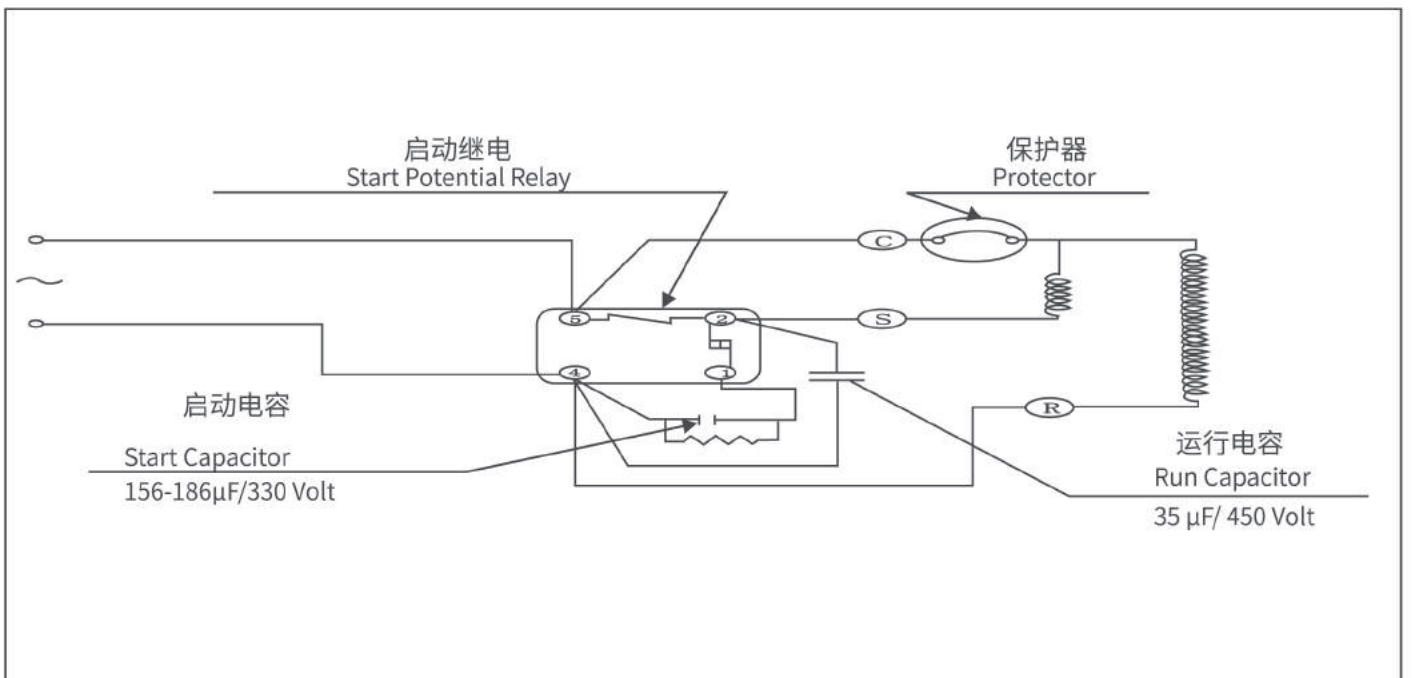
Mount Diagram





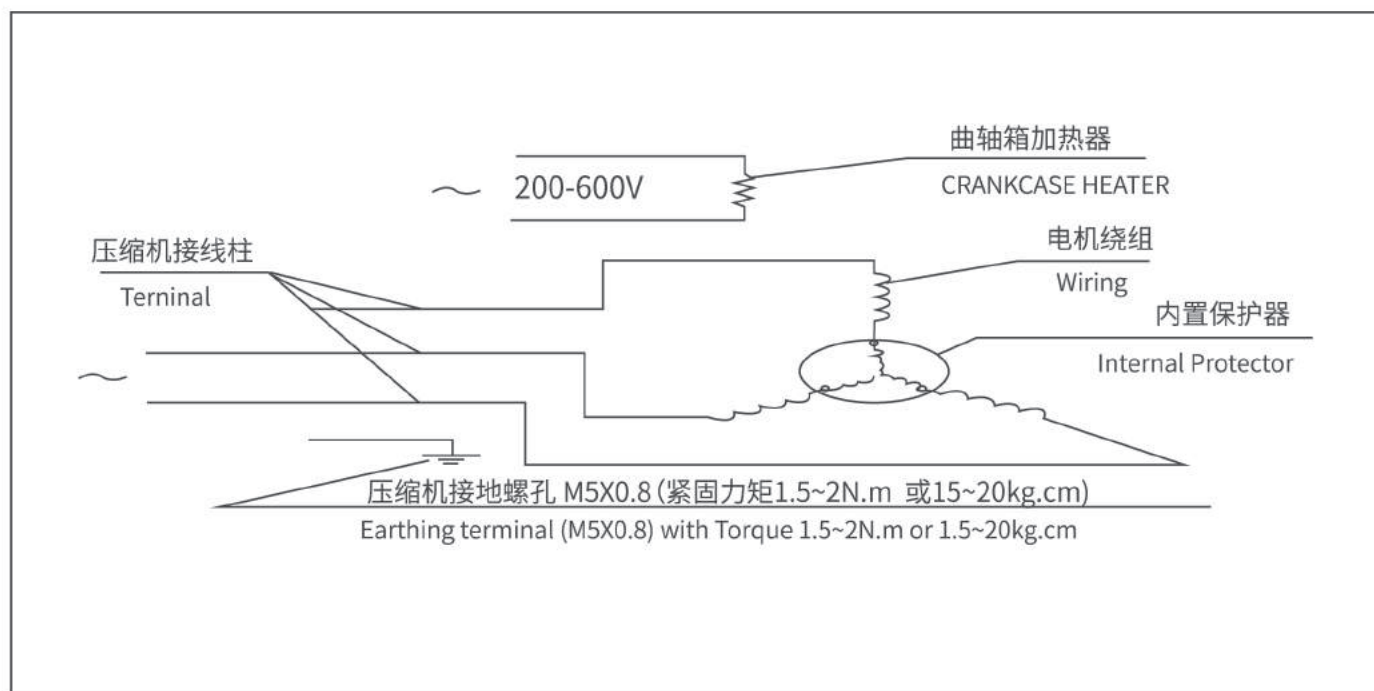
单相压缩机接线图

Single-phase Compressor Wiring Diagram



三项压缩机接线图

Three-phase Compressor Wiring Diagram



产品装箱清单

Parts List

序号 Serial number	名称 Name	数量 Quantity	备注 Notes
1	压缩机 Compressor	1	
2	减振垫 Grommet	4	
3	减振套管 Sleeve	4	
4	产品合格证 Qualification	1	
5	技术规格书 Specification	1	根据需要配给 Needed

产品的包装、运输和贮存

Packing, transportation And Storage

- 01** 压缩机包装的应能避免运输中受潮和损伤，包装箱上的文字标记清晰整齐。

The packing should be moisture-resistant, and prevent the compressor in it being damaged. The letters and marks on the package should be clearly painted.

- 03** 压缩机面应贮存在室温、无腐蚀性气体存在的环境中。

The compressor should be kept in the place with normal room temperature, and should be kept out of corrosive atmosphere.

- 02** 压缩机运输和搬运过程中，应保持平稳、轻放、倾斜角不得大于 45°

Don't incline the compressor more than 45°

附表

Tables

• 名义工况 RATING CONDITION

蒸发温度 Evaporating Temp	冷凝温度 Condensing Temp	吸气温度 Return Gas Temp	过冷温度 Liquid Temp	环境温度 Ambient Temp
7.2	54.4	18.3	46.1	35

• 单位换算表 UNITS CONVERSION CHART

单位换算表 UNITS CONVERSION CHART

1KCAL/H=1.163 WATTS

1BTU/H=0.293 WATTS

t°F=9/5Xθ°C+32

1INCHE(IN)=25.4MILLIMETERS (mm)

活塞式压缩机
Piston compressor

涡旋式压缩机
Scroll compressor

全封闭制冷机组
Hermetic condensing unit



浙江安康制冷设备有限公司

ZHEJIANG ANKANG REFRIGERATION EQUIPMENT Co.,LTD.

工厂地址:浙江湖州吴兴区埭溪工业园区新凉亭路6号

Factory address:No. 6, Xinliangting Road, Daixi Industrial Park, Wuxing District, Huzhou, Zhejiang.

电话 (TEL) :+86 (0572) 3826527

传真 (FAX) :+86 (0572) 3826529

办事处地址:浙江杭州西湖区金桂大厦809室

Office address:Room809, Jingui Plaza,Xihu District ,Hangzhou,Zhejiang.

电话 (TEL) :+86 (0571) 87422581

传真 (FAX) :+86 (0571) 87422580

电子邮件 (E-Mail) :xfre@xfre.cn

网址 (Web) :www.xfre.cn